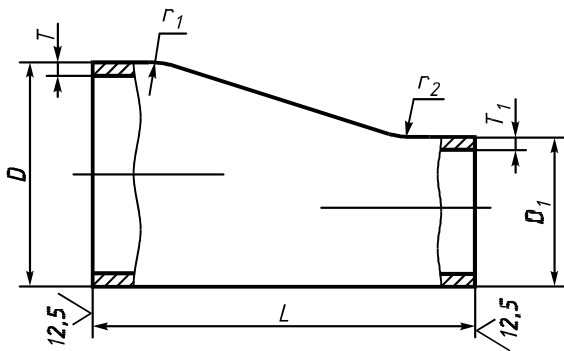
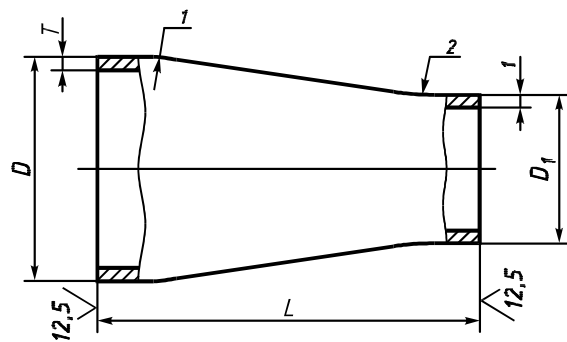


Переходы штампованные из углеродистой и низколегированной стали ГОСТ 17378-2001



Эксцентрический



Концентрический

Типоразмеры ГОСТ 17378-2001

| Большой наружный диаметр перехода D | Меньший наружный диаметр перехода D ₁ | | | | | | | | | | | | | | | | | |
|-------------------------------------|--|----|----|----|----|----|----|-----|-----|-----|-----|-----|-----|-----|-----|-----|-----|--|
| | 25 | 32 | 38 | 45 | 57 | 76 | 89 | 108 | 114 | 133 | 159 | 168 | 219 | 273 | 325 | 377 | 426 | |
| 38 | X | X | | | | | | | | | | | | | | | | |
| 45 | X | X | X | | | | | | | | | | | | | | | |
| 57 | X | X | X | X | | | | | | | | | | | | | | |
| 76 | | | X | X | X | | | | | | | | | | | | | |
| 89 | | | | X | X | X | | | | | | | | | | | | |
| 108 | | | | | X | X | X | | | | | | | | | | | |
| 114 | | | | | X | X | X | | | | | | | | | | | |
| 133 | | | | | X | X | X | X | X | | | | | | | | | |
| 159 | | | | | X | X | X | X | X | X | | | | | | | | |
| 168 | | | | | X | X | X | X | X | X | | | | | | | | |
| 219 | | | | | X | X | X | X | X | X | X | X | | | | | | |
| 273 | | | | | | | | X | X | X | X | X | X | | | | | |
| 325 | | | | | | | | X | X | X | X | X | X | X | | | | |
| 377 | | | | | | | | | | | X | X | X | X | X | | | |
| 426 | | | | | | | | | | | X | X | X | X | X | X | | |
| 530 | | | | | | | | | | | | | | | | X | X | |

Примечание:

- толщина стенки от 2,0 до 32,0 мм